

REVOLUTIONARY IAQ TECHNOLOGY

APCO-X is the result of more than a decade of development and is our most advanced indoor air treatment system. It combines UVC light and our proprietary activated carbon technology to safely & effectively neutralize odor-causing VOCs and biological contaminants. It not only treats the air but also helps keep the HVAC system clean and efficient and extend its life.

FEATURES/BENEFITS

Exclusive V-Twin EverCarbon Matrix™ with nanotech antimicrobial coating	Features 65% more effective surface area, improving performance 33% over previous model
Advanced 3-year UVC 254nm quartz lamp	Long lasting, safe and effective
Four-way 360° installation	For up-flow, down-flow & horizontal installations
UL Validated to produce no harmful ozone	Scientifically tested ensuring safety
Continuously treats the whole-system	Treats the air in the entire home all the time and is virtually maintenance free (UVC lamp replacement only)
Translucent polycarbonate housing	Strong, lightweight and reliable
LED status and lamp fault indicator	To provide operational feedback

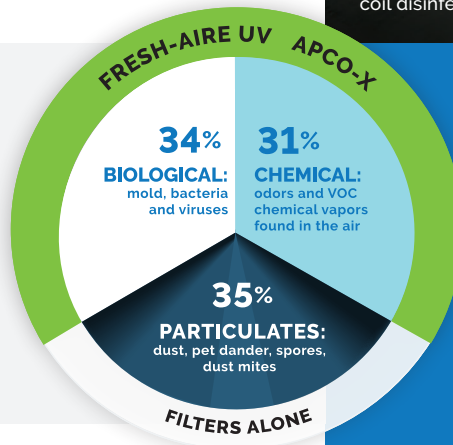


APCO-X DUAL is the best choice when there is not enough room over the coil. It includes a 2nd UVC light for coil disinfection.

FURNACE APPLICATION

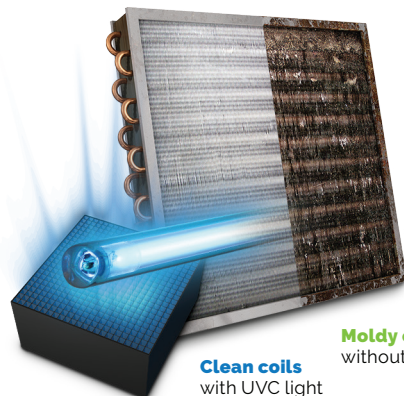
SAFELY AND EFFECTIVELY TREAT THE OTHER 2/3RDS

Conventional filters are only effective against particulates, like dust. APCO-X is proven to safely reduce both biological and chemical contaminants inside the air system and throughout the building. Together, they address 99+% of the contaminants in the air.



CLEANS THE COIL AND DRAIN PAN

Helps keep the HVAC system running efficiently and extend its life.



Clean coils with UVC light

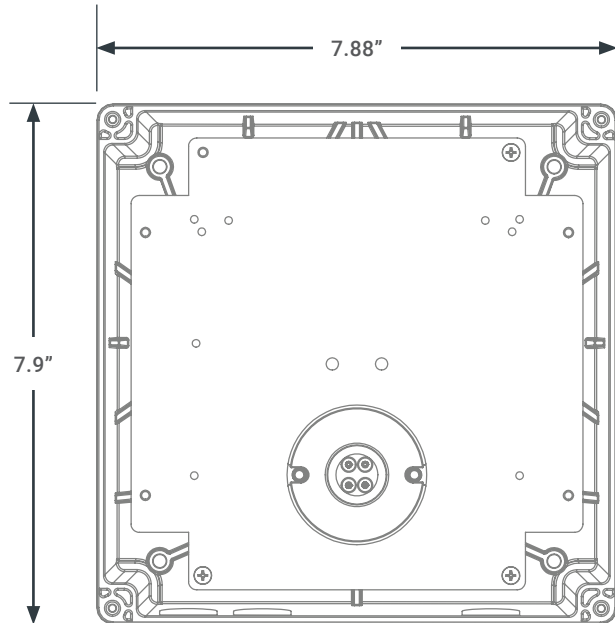
Moldy coils without UVC light

CLEAN AIR



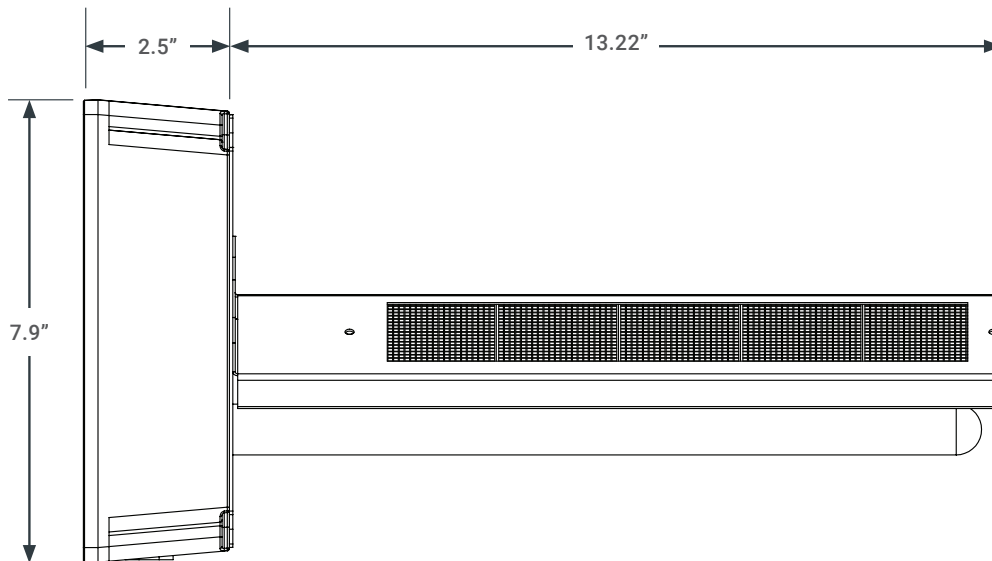
APCO-X Helps Neutralize Mold, Bacteria, Viruses, and Allergens

SPECS



APCO-X Specs	
UV Lamp	254 nm UVC, quartz hot filament
Dimensions	Cell & Lamp: 5.8"W x 3.25"H x 13.2"D Enclosure: 7.6"L x 7.6"W x 2.2"D
ER models Electrical	18-32 VAC, 60 Hz, 0.68 Amps, 16 VA
SI DI models Electrical	110-277 VAC, 50/60 Hz, 0.51 Amps/120V Thru 0.22 Amps/277V
Pressure Drop	<0.01" w.c. @ 400 FPM
Warranty	Lifetime for all parts except lamp

Part Numbers		
18-32 VAC		Replacement Lamp
TUV-APCOX-ER3	3 Year Lamp	TUVL-315
18-32 VAC with 2nd UV Lamp for Coil		Replacement Lamp
TUV-APCOX-DER3	3 Year Lamp (2)	TUVL-315
110-277 VAC		Replacement Lamp
TUV-APCOX-SI3-P	3 Year Lamp	TUVL-315
110-277 VAC with 2nd UV Lamp for Coil		Replacement Lamp
TUV-APCOX-DI3-P	3 Year Lamp (2)	TUVL-315



DESIGNED & ASSEMBLED IN THE U.S.A.